



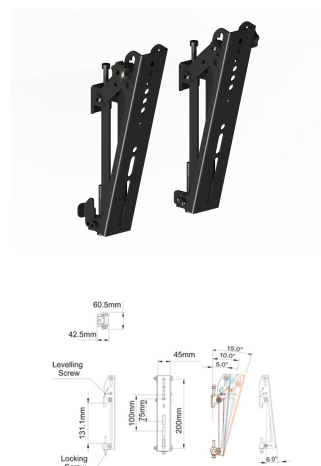
Multibrackets 3910 monitori kinnituse tarvik

Brand : Multibrackets

Product code: 3910

Product name : 3910

Multibrackets 3910. Toote tüüp: Lameekraaniga teleri paigaldamise pikendus, Toote värv: Must, Korpuse materjal: Teras. Kaal: 1,5 kg, Laius: 230 mm, Sügavus: 68,5 mm. Pakendi kõrgus: 45 mm, Pakendi laius: 135 mm, Pakendi sügavus: 260 mm. Kogus pakis: 2 tk. Transpordikasti laius: 27,5 cm, Transpordikasti pikkus: 48 cm, Transpordikasti kõrgus: 15,3 cm



Funktsioonid		Pakendi andmed	
Toote tüüp *	Lameekraaniga teleri paigaldamise pikendus	Pakendi laius	135 mm
Toote värv	Must	Pakendi sügavus	260 mm
Korpuse materjal	Teras	Pakendi kaal	1,1 kg
Maksimaalne kaal (mahutavus)	30 kg	Pakendi sisu	
Kinnituse tüüp	Toru	Kogus pakis	2 tk
Kaldenurk	0 - 15°	Logistika andmed	
Ühilduvus	M Pro Series	Transpordikasti laius	27,5 cm
Kaal ja mõõtmed		Transpordikasti pikkus	48 cm
Kaal	1,5 kg	Transpordikasti kõrgus	15,3 cm
Laius	230 mm	Tarnekaasti (sisemine) brutokaal	12,3 kg
Sügavus	68,5 mm	Tooteid tarnekaasti (sisemine) kohta	10 tk
Kõrgus	39 mm	Tooteid kaubaaluse kohta (euroalus)	240 tk
Pakendi andmed			
Pakendi kõrgus	45 mm		



7350073733910

Disclaimer. The information published here (the "Information") is based on sources that can be considered reliable, typically the manufacturer, but this Information is provided "AS IS" and without guarantee of correctness or completeness. The Information is only indicative and can be changed at any time without notification. No rights can be based on the Information. Suppliers or aggregators of this Information do not accept any liability with regard to the content of (web)pages and other documents, including its Information. The publisher of the Information can not be held liable for the content of 3rd party websites that are linking this Information or are linked to from this Information. You as the User of the Information are solely responsible for the choice and usage of this Information. You are not entitled to transfer, copy or otherwise multiply or distribute the Information. You are obliged to follow the directions of the copyright owner(s) with regard to the use of the Information. Exclusively Dutch law is applicable. With regard to price and stock data on the site, the publisher followed a number of starting points, which are not necessarily relevant for your private or business circumstances. Therefore, the price and stock data are only indicative and are subject to changes. You are personally responsible for the way you use and apply this information. As a user of the Information or sites or documents in which this Information is included, you will adhere to standard fair use including avoidance of spamming, ripping, intellectual-property violations, privacy violations, and any other illegal activity.

Publication date: 14-AUG-2024. Prints or copies of Information are only valid on the printed Publication date